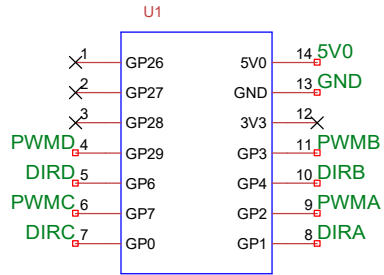
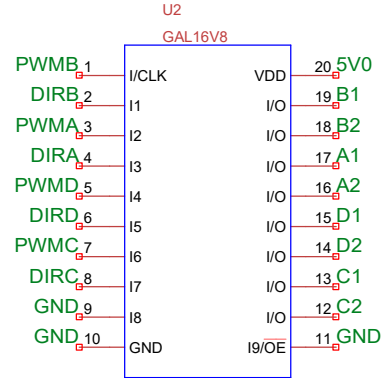


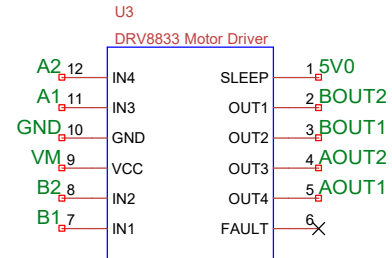
Xiao RP2040 or RP2350



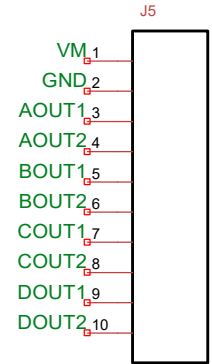
PWM Encoder



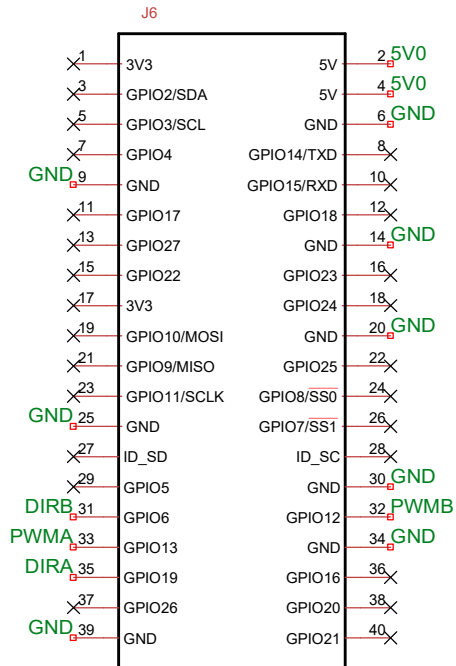
Motor Drivers



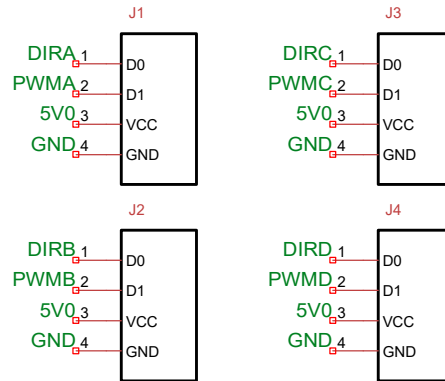
Terminal Block



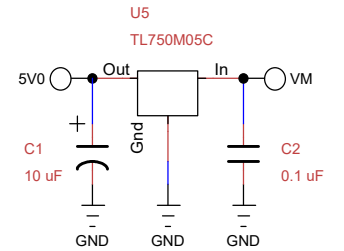
Raspberry Pi Zero



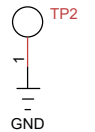
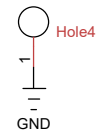
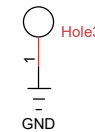
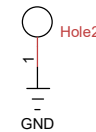
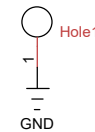
Grove PWM Sockets



Low Dropout Regulator

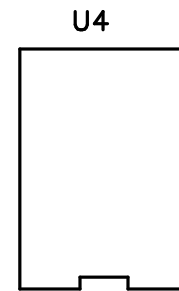
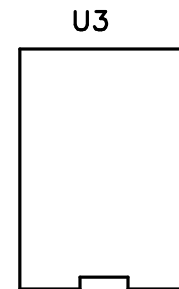
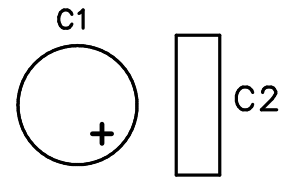
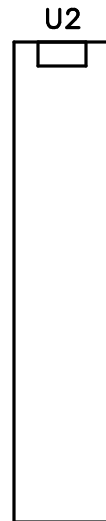
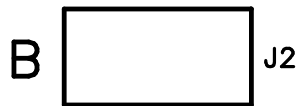


Mounting Holes



Test Points

Title River Tech Motor Driver		
Author Philip Munts Munts Technologies		
File cts\products\MUNTS-0021\cad\MUNTS-0021.dsn	Document	
Revision 2	Date 2 April 2026	Sheets 1 of 1



VM
 GND
 A1
 A2
 B1
 B2
 C1
 C2
 D1
 D2



River Tech Motor Driver

MUNTS-0021 REV 2

2 April 2026

Munts Technologies

<https://tech.munts.com>

